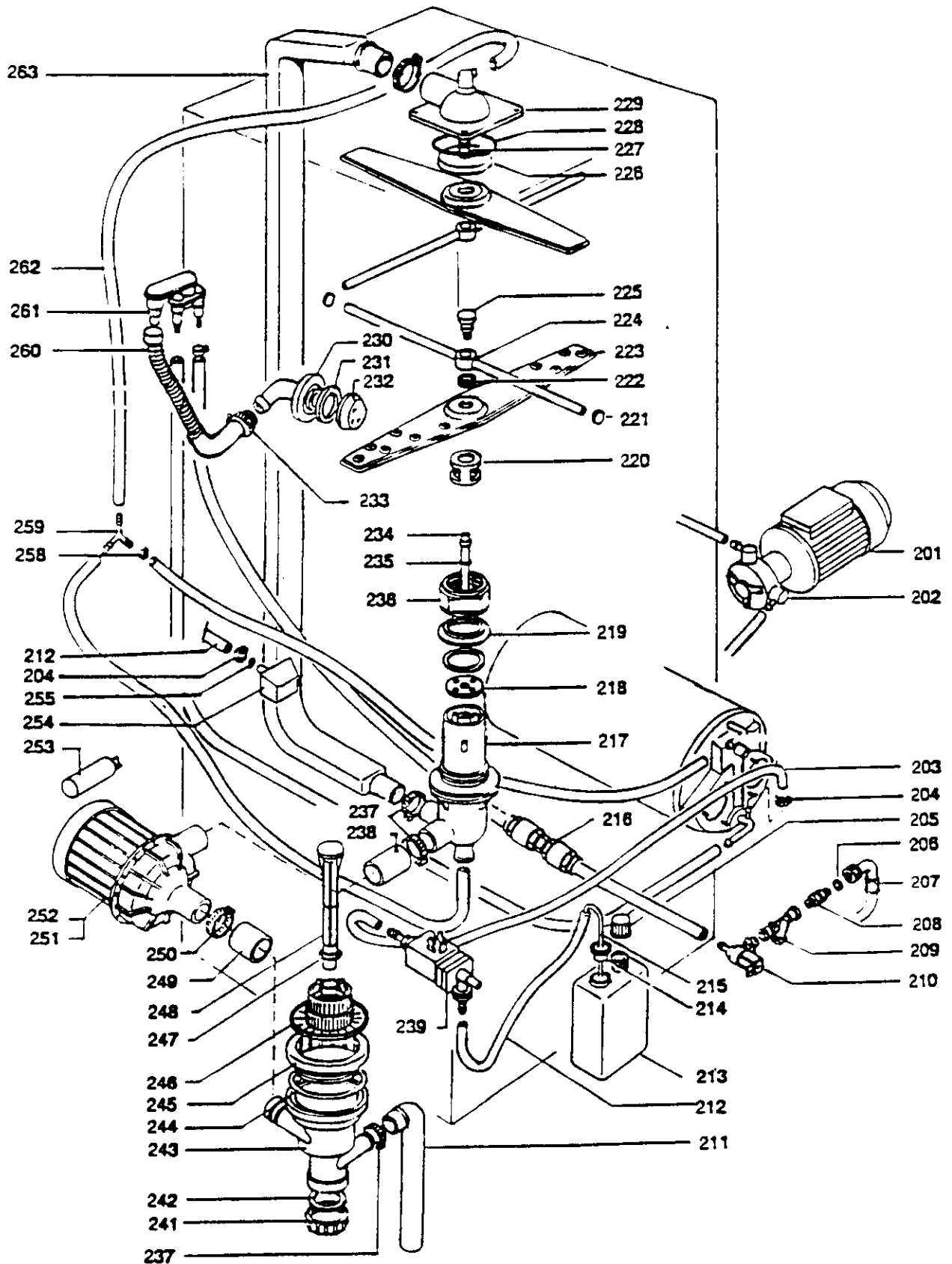


Dishwasher Washtech 50

a	b	c	d	e	f
505010	505014	505011	505012	505015	505016
WT50/9	WT50/6	WT50/uk9rp	WT50/F9	WT50/1ukrp	WT50/1

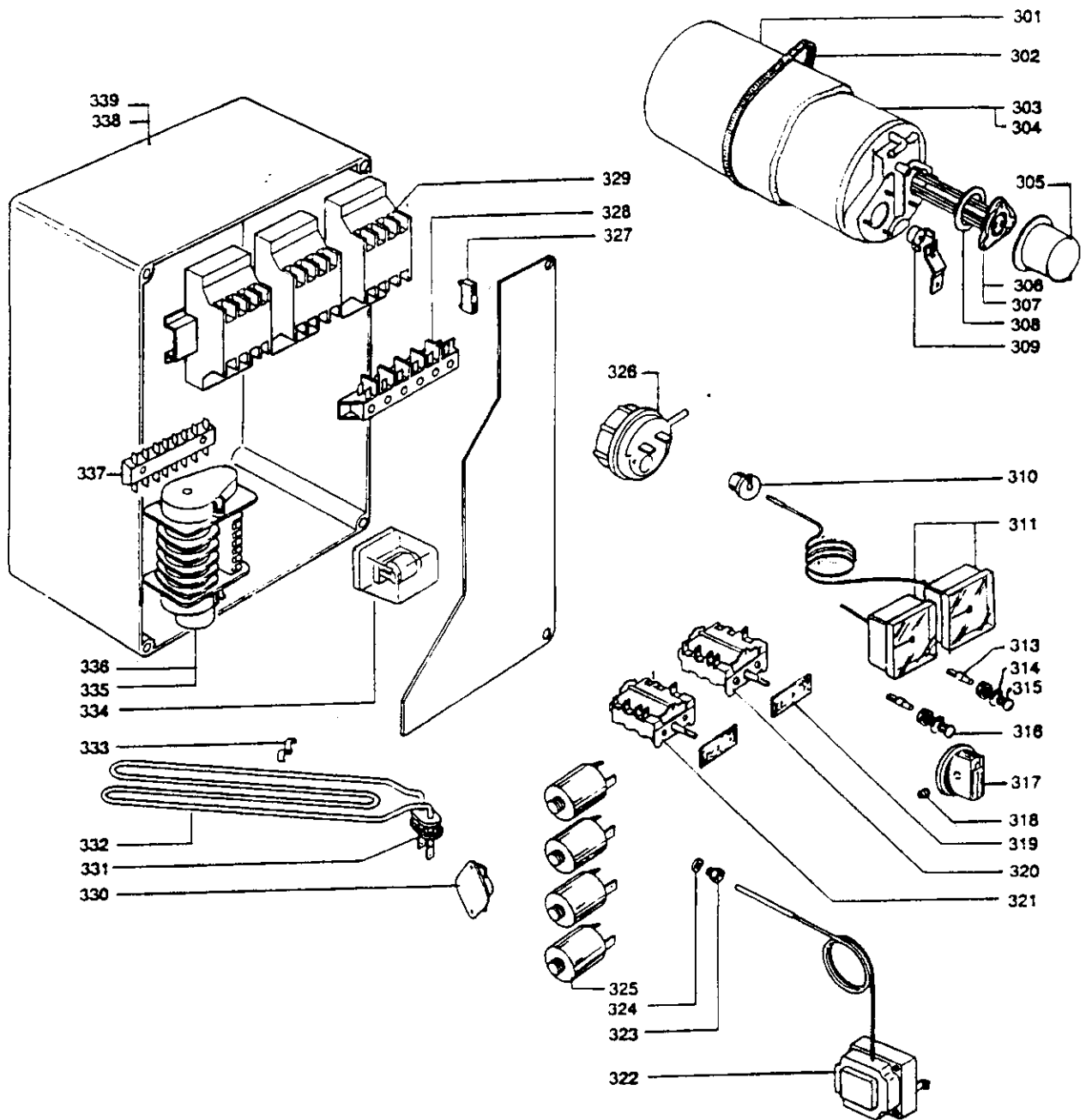
Pos.	Spare Part	Alias Code	Repl. by	S	Inf	Description	Notes	GBP B
0101	048640					LID		0.00
0102	046583			S		GASKET; 1PZ=5MT		4.89
0103	048709					SPACER		0.49
0104	048705		049528			HOOD		0.00
0105	048706					HANDLE		77.23
0106	048609					RUNNER		15.45
0107	048677		049486			BASKET SUPPORT		0.00
0108	048584		049537			FILTER SUPPORT		0.00
0109	048332		049537			TANK FILTER		0.00
0110	048673					RIGHT SIDE PANEL		53.40
0111	048703					CONTROL PANEL		37.18
0112	048704					ADHESIVE MEMBRANE		64.16
0113	048363					DOOR		14.12
0114	048278					PIN		3.70
0115	048279					SPRING		3.84
0116	048702				D	FRONT PANEL		60.88
0117	048622					Not on Price List		0.00
0118	048577					COVER		9.09
0119	048578					BASE WASHER; FOR FEET		0.00
0120	048660					LEFT SIDE PANEL		51.79
0121	048486			S		REED SWITCH; CYLINDRICAL		9.72
0122	046583			S		GASKET; 1PZ=5MT		4.89
0123	048662					REAR PANEL		37.18
0124	048653			S		BUSH		0.49
0125	048654			S		SPACER		0.49
0126	048649					LEVER		13.07
0127	048657			S		SMALL WHEEL		0.63
0128	048635			S		PIN		6.85
0129	048710			S		DAMPER		4.89
0130	048656			S		PIN		7.06
0131	048652					PIN		14.40
0132	048711					DAMPER		13.98
0133	048257					LEVER		10.20
0134	048297			S		PIN		12.23
0135	048262		049761			BUSH		0.00
0136	075767		049886			SPRING STRETCHER		0.00
0137	048298			S		SAFETY SPRING		1.61
0138	048663					PROTECTION PANEL; REAR		57.03
0139	048661				D	REAR PANEL; FOR HOOD		56.48
0140	048655			S		SPRING; MAISABLE HOOD - WHITE		16.01
0141	048433					COVERING		5.73



Model: 505014 - WT50/6 - DISHWASHER 800 D/H WASHTECH 50

Table: 6-31800 Page 2 - Hydraulic circuit

Pos.	Spare Part	Alias Code	Repl. by	S	Inf	Description	Notes	GBP B
0203	048226		048883			Not on Price List		0.00
0204	046946			S		HOSE CLAMP		1.47
0205	068644					LID		0.49
0206	046925			S		GASKET; DIA 3/4"		0.63
0207	048217			S		HOSE		9.09
0208	048426		048929			NIPPLE		0.00
0209	068121			S		FILTER		25.86
0210	048178			S		SOLENOID VALVE; ES90 230V 50/60HZ		8.60
0211	048644					DRAIN PIPE		11.81
0212	048168		048883			Not on Price List		0.00
0213	048277					WETTING AGENT CONTAINER		6.29
0214	048434					CONNECTION		0.49
0215	048281					WETTING AGENT SUCTION HOSE		4.19
0217	048329		048819			SUPPORT		0.00
0218	048645		048931			SHUTTER		0.00
0219	048236			S		GASKET		2.17
0220	048401			S		HUB FOR JETS; LS 7-8-10-12		32.57
0221	048289			S		PLUG F. WASH JET		13.98
0222	048632			S		LOCK WASHER		6.57
0223	048336		0L0598			WASHING JET		0.00
0224	048542		048716			JETS CARRIER		0.00
0225	048290			S		PIN; FOR RINSE JET		17.47
0226	048650			S		REDUCTION		4.61
0227	048333			S		PIN		13.21
0228	046366			S		O-RING		0.84
0229	046368				D	SUPPORT F. UPPER JETS		24.67
0230	048192			S		FLANGE		2.80
0231	065506			S		GASKET		0.56
0232	048193			S		PIPE UNION		2.10
0233	047578			S		HOSE CLAMP		1.12
0234	048239			S		PIN		47.74
0235	047986			S		GASKET		0.56
0236	048330			S		RING NUT		3.35
0237	046878			S		HOSE CLAMP		1.12
0238	046257			S		HOSE; L=430 MM		12.93
0239	048580					RINSE AID DISPENSER; 230V 50HZ		133.64
0241	046596			S		STOPPLE		1.61
0242	046595			S		GASKET		1.47
0243	048325			S		DRAIN MANIFOLD		10.97
0244	048327			S		O-RING		1.89
0245	048326			S		RING		4.68
0246	048324			S		PUMP SUCTION FILTER		7.69
0247	046799			S		O-RING		0.49
0248	048323			S		OVERFLOW PIPE		5.59
0249	045768			S		HOSE; 1PC=300MM		10.76
0250	046855			S		HOSE CLAMP		1.26
0251	048304			S		WASH PUMP; 220/380V 3P 50HZ	a,b,c,d	188.30
0254	048308			S		AIR TRAP		5.52
0255	068642			S		O-RING		0.56
0258	048126			S		CLIP; 13-20		0.77
0259	048195			S		CONNECTION		6.29
0260	048249		049747			HOSE		0.00
0261	048191			S		NONRETURN VALVE; DVGW		14.40
0262	048531			S		RUBBER HOSE; BY METER		7.90
0263	048646			S		SPRAY COLLECTOR		20.20



Pos.	Spare Part	Alias Code	Repl. by	S	Inf	Description	Notes	GBP B
0301	048447			S		INSULATION		17.82
0302	048222			S		HOSE STRAP		5.66
0303	048548			S		BOILER; 1 ELEMENT	b,d,e,f	147.76
0305	065560			S		CAP COVER		1.12
0307	048513			S		BOILER HEATING ELEMENT; 6000W 230V	b,d,e,f	59.97
0308	046213		067620			HEATING ELEMENT GASKET		0.00
0309	048287		048887			THERMOSTAT/KLIXON		0.00
0310	048526			S		PLUG		0.91
0311	048525			S		THERMOMETER		28.31
0313	048488			S		PILOT LAMP; 250V		3.01
0314	046584			S		GASKET		0.70
0315	046289			S		PILOT LAMP		1.54
0316	047750			S		CAP		1.68
0317	048527			S		KNOB		7.41
0318	047846			S		SCREW		0.56
0319	046360			S		GASKET		0.56
0320	048524			S		SELECTOR; 3 CAMMES		13.91
0321	048270			S		SELETTORE; 3 CAMMES		14.40
0322	048266		049243			BOILER THERMOSTAT; 30-90 C		0.00
0323	067899			S		STUFFING BOX		2.59
0324	067898			S		O-RING		0.56
0325	046226			S		RADIO INTERFERENCE FILTER		6.57
0326	046352		049485			PRESSURE SWITCH		0.00
0328	046347			S		TERMINAL BOARD		9.23
0329	048403		0L0285			CONTACTOR		0.00
0330	048487			S		TANK THERMOSTAT; 60 C		10.69
0331	048483			S		GASKET		0.84
0332	048228		048924			HEATING ELEMENT		0.00
0333	048429			S		BRACKET		1.89
0334	048611			S		RELAY; 230V 4 CONTACTS		27.54
0335	048647			S		TIMER; 50HZ	a,b,c,d	74.37
0337	045794					TERMINAL BOARD		10.27
0338	048435					HOUSING FOR SWITCH BOX	b,d	0.00